

Solar Energy South Africa

275v solar power system



275v solar power system

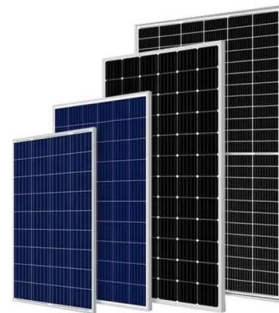


Home , Alpha Power Systems , Alpha Power Systems

Alpha Power Systems is an Australian licenced electrical contractor (Licence number: 172066C) advanced in designing and manufacturing of total power solutions for critical mission applications. With over 40 years of combined ...

TOMZN 4P AC SPD 20kA/40kA 4 POLE AC SURGE ...

It can handle surge currents up to 20kA/40kA and is rated for a maximum voltage of 275V. The device is designed to be mounted on a DIN rail and can be easily installed. The Tomzn 4 Pole 275V, 20kA/40kA AC Surge Protector is ...



Chint Surge Arrester 40kA 275V 2P , GC Solar Online ...

Description. Protect your electrical systems with the Chint Surge Arrester 40kA 275V 1P. This high-quality surge arrester is designed to withstand even the strongest electrical surges, providing reliable protection for your home or ...

EU Warehouse All in One Balkonkraftwerk Solar Balcony System

Portability and Flexibility: Balcony solar power system is often designed to be portable and

easily removable. This allows users to relocate
 220V/180-275V: Dimensions: 182 X 164 X 30
 ...

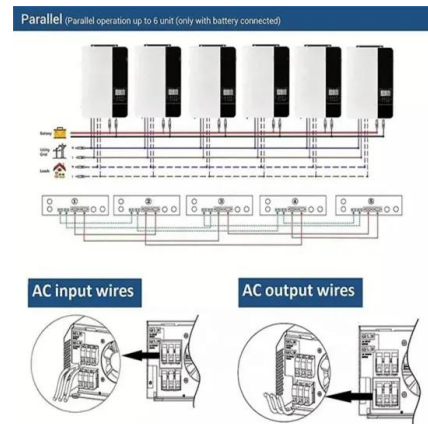


Surge AC 40Ka
 ?????????????????????? ??????????
Single Phase 275V ...

LY1-C40 series surge protection device (SPD) is suitable for TN-S, TN-C-S, TT, IT etc. power supply system of AC50/60Hz, less than 275V, installed on the joint of LPZ1, designed according to ...

Jinli , AC Surge Protection Device, DC Surge Protection ...

AC, DC and solar Surge Protection Devices are designed to protect sensitive equipment from damage caused by lightning and electrical transient surges for use in power supply systems. Uc of Jinli AC SPD: 175V, 275V, 320V, 350V, ...



Solar system fault finding guide & solutions

Solar panel fault-finding guide including examples and how to inspect and troubleshoot poorly performing solar systems. Common issues include solar cells shaded by dirt, leaves or mould. The rise in grid voltage ...

Planning a Home Solar Electric System , Department of Energy

These programs enable a group of participants to pool their purchasing power to buy solar into a solar system at a level that fits their needs and budget. The system can be on- or off-site and ...



[Components of Solar Power Systems](#)

The main solar components that come with every solar power system or solar panel kit are: Solar panels; Inverters; Racking (mounting system) Batteries; But how do these solar system components convert the sun's energy into usable ...

Contact Us

For catalog requests, pricing, or partnerships, please visit:
<https://www.ian-solar.co.za>