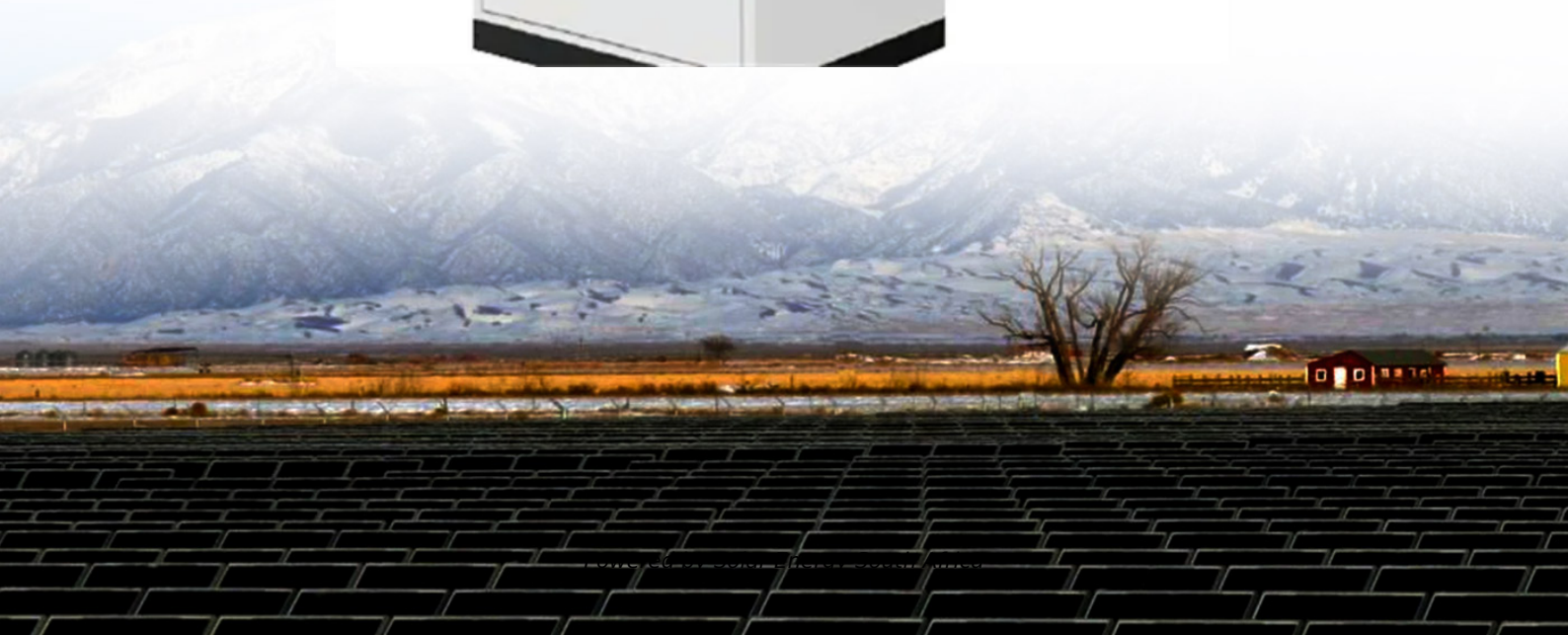


Solar Energy South Africa

How much does a 600 square meter photovoltaic panel cost



Overview

Depending on the size of solar panels, they can cost between £2,500 to £10,500, with savings in the range of £440 and £1,005 per year. How much does a solar panel cost in the UK?

The average cost of a solar panel in the UK based on a 350-watt panel is currently between £500 and £800. However, please bear in mind that this is the price for a single solar panel and does not include the professional installation or any other extras e.g. pigeon proofing. With that said, let's explore some common solar installation scenarios.

How much does a solar panel cost per kilowatt?

Exactly how much a solar panel costs per kilowatt depends on the type of solar panel you're talking about. Monocrystalline solar panels are the most expensive, and their cost per kW is somewhere around £1,000 – £1,500 whereas polycrystalline solar panels cost about £900 per kW.

What is a solar panel cost calculator?

The solar panel cost calculator below will help you determine how much energy you can save, as well as the financial rewards you could potentially earn by installing a solar panel array on your property. Please bear in mind that the calculator will provide estimates based on the information you have provided.

How much does a solar panel installation cost?

Generally, two installers will work together to install your solar panel system, and depending on its complexity, they can take up to 3 days to complete the installation. This means that you can expect to spend anywhere between £600 and £3,000 on labour costs alone.

How much will solar panels cost in 2024?

Advancements in technology, increased demand, and government incentives

have all contributed to reducing the price of solar panels. The average solar panel system is 3.5kWp and will cost £7,000 in 2024 (prices will vary depending on the location and size of the array).

How much does a solar PV installation cost per kilowatt?

The mean average cost per kilowatt of a small solar PV installation (0-4kW) is above £2,000 for the first time since these records began in 2013/14. Prices for larger solar installations (4-10kW) increased even more dramatically - by 31% since 2021/22.

How much does a 600 square meter photovoltaic panel cost



Solar Panel kWh Calculator: kWh Production Per Day, Month, Year

How many kWh does this solar panel produce in a day, a month, and a year? Just slide the 1st slider to '300', and the 2nd slider to '5.50', and we get the result: In a 5.50 peak sun hour area, ...

How much do solar panels cost in 2024? , All Seasons ...

On average, homeowners in the UK can save up to £600 per year through solar panel installations. Like your solar panel cost, savings can vary based on factors such as the size of your solar system, energy consumption, and the amount of ...



[Solar Panel Cost Calculator](#)

NREL found that in 2022 solar panel installation labor cost made up around 5% of the total cost of residential solar projects and the cost of the solar panel modules makes up around 18%. So, if the calculator gave you a lifetime energy cost of ...

How Much Do Solar Panels In The UK Cost? (2024 ...

As mentioned earlier, the cost of PV panels is the

main determining factor which can drag up the price. The bigger the size, the more expensive it will be and provide more energy. It's important to note that size ...

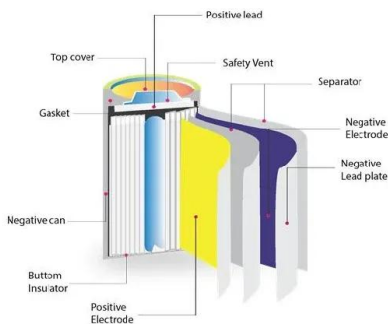


Solar Panel Costs UK (Updated: November 2024)

The price of solar panels depends, among others, on the square metres and system type. Check out the average prices of PV in the UK and the estimated installation costs & savings. £600: £1,200 - £1,800: ...

Solar panels cost in the UK: 2024 prices , The ...

The average cost of a solar panel system for a typical three-bedroom house in the UK is £9,600, including a battery. Solar panels can save you up to £1,014 annually, totalling nearly £30,000 of

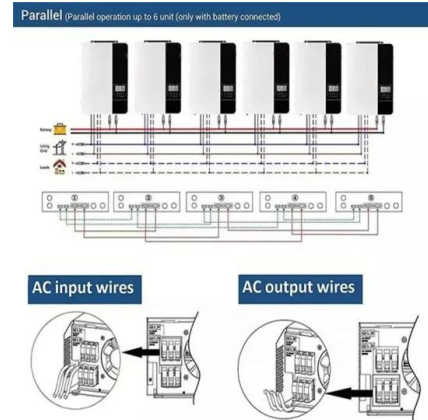


Solar panel costs in the UK: 2024 prices -- CRG Direct ...

4. Solar Panel Cost Per M2. When thinking about solar panels in the UK, it's important to understand how they are priced. Solar panel prices are usually measured in terms of cost per square meter (m2). Here's a breakdown of the ...

Solar Panel Cost in 2024: How to Estimate The Cost of Solar , Solar...

How much does a solar panel cost? Today's premium monocrystalline solar panels typically cost between \$1 and \$1.50 per Watt, putting the price of a single 400-watt solar panel between ...



Contact Us

For catalog requests, pricing, or partnerships, please visit:
<https://www.ian-solar.co.za>