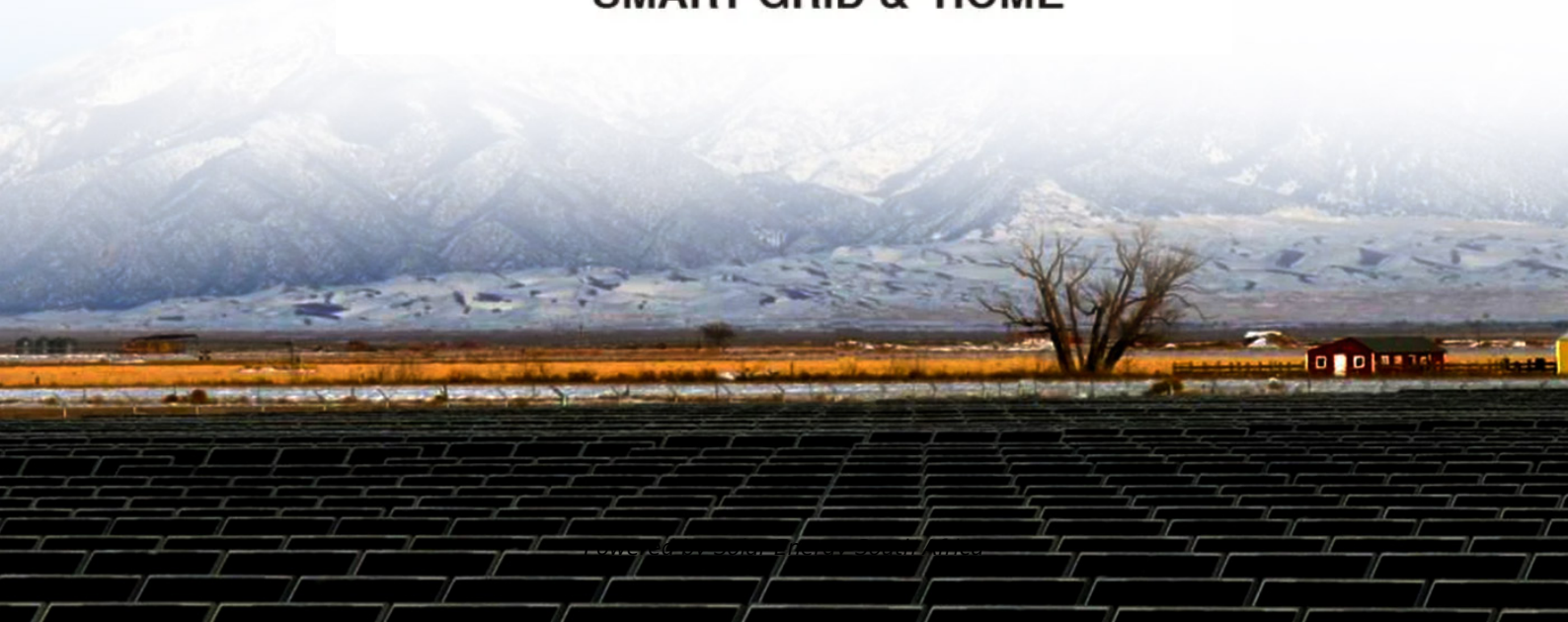


Solar Energy South Africa

Luxembourg how much is a solar system for a house



SMART GRID & HOME



Overview

How much does it cost to install solar panels in Luxembourg?

Installing a solar panel in Luxembourg costs between €850 and €1050 per panel.

How much does it cost to install solar panels in Luxembourg?

Installing a solar panel in Luxembourg costs between €850 and €1050 per panel.

How much will your solar project cost in Luxembourg?

Prices, subsidies, profitability. Our installers will advise you free of charge.

Un projet au Luxembourg ?

Klimabonus, prix, puissance, installateurs. Tout ce qu'il faut savoir sur les panneaux solaires est ici. Guide complet 2024.

The agency grants financial aid—technical installation subsidies known as 'PRIME House' subsidies—to subsidise the investment and installation costs of the following: solar thermal systems; solar photovoltaic systems; heat pumps; wood-fuelled boilers; implementation of a heat network and/or connection to a heat network.

How much does it cost to install solar panels in Luxembourg?

Installing a solar panel in Luxembourg costs between €850 and €1050 per panel . On average, you need 2.3 panels to produce 1 kWp. 1 kilowatt-peak therefore costs between €1955 and €2415, excluding subsidies.

Luxembourg how much is a solar system for a house



Solar Power for Tiny Houses: How Much Do You Need?

How to Build a Solar System for a Tiny House . Follow these steps to build a reliable, renewable solar power system for your tiny home. Step 1: Choose the Right Solar System . Once you've defined how much energy your ...

How Many Solar Panels Do I Need To Power a House ...

Related reading: How Much Is a Solar System for a 2,500 Square Foot House? Finally, pick a solar panel power rating. The final variable is how much electricity each solar panel can produce per peak sun hour. This is ...

- LIFePO₄
- Wide temp: -20°C to 55°C
- Easy to expand
- Floor mount&wall mount
- Intelligent BMS
- Cycle Life:≥6000
- Warranty :10 years



How Much Do Solar Panels Cost for a 1,000 Square ...

Learn about the factors influencing the cost of solar panels for a 1,000 sq ft house. From electricity usage to roof space, estimate solar panel costs for your home. For a more accurate picture of how much money solar panels would ...

How Much Do Solar Panels Cost for a 1,000 Square Foot House

Learn about the factors influencing the cost of

solar panels for a 1,000 sq ft house. From electricity usage to roof space, estimate solar panel costs for your home. For a more accurate picture of how much money solar panels would cost for your home, along with how much money the solar system would save you, its ROI, and payback, request



Solar Power for Tiny Houses: How Much Do You Need?

How to Build a Solar System for a Tiny House . Follow these steps to build a reliable, renewable solar power system for your tiny home. Step 1: Choose the Right Solar System . Once you've defined how much energy ...

Solar Installation Prices

FIND THE RIGHT SOLAR PLAN FOR YOUR COMMERCIAL OR INDUSTRIAL BUSINESS. We are experts in solar power. We make solar energy easy and affordable, so your business can reduce operating costs. We offer solar financing, so you can instal cost-reducing solar energy without capital investment in a solar system.



How much should an off-grid solar system cost for a small cabin?

I'm trying to get an off-grid solar system for a 500 sq ft cabin in eastern WA (1.6 winter sun hours a day) where I'll be living full time. I want to use normal appliances and not get deep into energy saving workarounds, but I will use propane for most of the heat-related stuff. Newly built house (2021) using community propane

tanks (are

How much did your solar cost you, all said and done including

You can't compare system sizes based on the size of your house because energy usage varies wildly. Based on the price is above, solar fine or financing is a godsend for anyone with a bill much over \$100.. roi tends to be between 7:00 and 4 years the variation having a lot to do with the size of the bill and how well the roof works for solar.



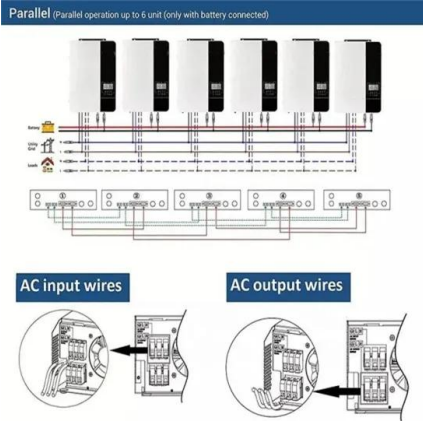
Photovoltaic panels: 4 reasons to invest now , AXA Luxembourg

*The kilowatt-peak (or kWp) is the unit of measurement used to assess the power attained by a solar panel when exposed to maximum solar radiation. For example, a 7 kWp installation would cost between EUR 10,000 and EUR 14,000 to install. In this case, the PRIME House subsidy would amount to EUR 1,750 in the low range and EUR 2,300 in the high

How Much Do Solar Panels Cost for a 1,500 Square Foot House

The number of solar panels needed for a 1,500 square foot home depends on several factors like electricity usage, sun exposure, and solar equipment, but typically a 1,500 square foot home needs around 16 solar panels with a power rating of 400W to create a system with 6.6 kW of capacity.



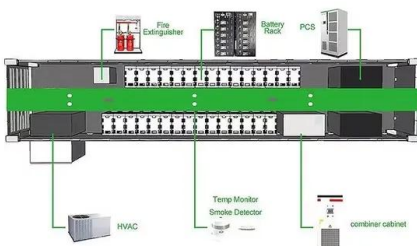


[Will a 5kW Solar System Run a House?](#)

In summary, a 5kW solar system can certainly run a house, depending on various factors such as energy consumption, location, system efficiency, and backup power options. By maximizing the performance of your solar system and considering all necessary components, you can guarantee a sustainable and reliable source of power for your home.

[Solar panels are worth it? : r/Luxembourg](#)

Go to Luxembourg r/Luxembourg. r/Luxembourg. Official Subreddit for the Grand Duchy of Luxembourg. Have you checked the solar cadastral map to see how much energy you could get. For example the front of my house is "well suited" for 38m² and estimated to be 6716 kWh/year but our barn is "suitable" for 15m² and would only be 2477 kWh



How Many Solar Panels for a House in Canada are Required?

Now, let's understand how much do solar panels cost for a 1500 and 2000- square foot house in Canada. How Much Do Solar Panels Cost for a 1500 Square Foot House in Canada? If you have an 8 kW solar system, the price would be around \$24,000, with potential reductions from incentives and rebates.

Solar Panels For Tiny Houses: How I Went Off Grid With My Tiny House

Here's the key details of my solar power system:
3,975 (3.9 KW) of panels Schneider SW 4024 -
fifteen, 265 watt panels; 1,110 amp/hr battery
storage; 24 volt system; My Tiny House Solar
Setup: (15) Canadian Solar CS-6p 265 Watt Poly
Black Frame; Schneider SW 4024 Inverter;
Schneider MPPT 60 Charge Controller



How Much Do Solar Panels Cost? (2024 Expert Guide)

How much do solar panels cost on average? Most people will need to spend between \$16,500 and \$25,000 for solar panels, with the national average solar installation costing about \$21,816.. Most of the time, you'll see solar system costs listed as the cost per watt of solar installed so you can easily compare prices between quotes for different system sizes.

How Many Solar Batteries Are Needed to Power a ...

This article explores how many solar batteries are needed to power a house and how to calculate the answer based on your unique energy goals. Close Search. Search Please enter a valid zip code. a solar system ...



What Size Solar System Do You Actually Need?

Average Solar System Size and Cost in North Carolina. For simplicity, let's look at some averages for solar system cost and size. In 2021, our average residential solar system size is 8.5kW which has an average price of \$27,000 before incentives and \$17,000 - \$20,000 after

incentives.



How Many Solar Panels Do I Need for a 1,500 Square Foot Home?

For reference, it would cost around \$50,000 to purchase the same amount of electricity from a utility provider at the national average price per kilowatt-hour increasing at 3% per year.. The bottom line. The number of solar panels you need depends more on your electricity consumption than the square footage of your house.



Solar panel offer company Luxembourg : r/Luxembourg

The offer I got from the company "Solution Energie Luxembourg" in Mamer is around 19.400 EUR. It includes 16x JNL JLS108MFB 430W panels, 16x Enphase IQ7+ micro-inverters. Are you building a solar system for your house? Shed? RV? This subreddit is for you! Discuss your projects, show us pictures, ask for help. Anything DIY Solar!

Solar Panels : Prices and Subsidies [Simulateur 2024]

The best way to install solar panels in

Luxembourg is to analyse three key factors: Roof pitch : The ideal angle for solar panels in the region is between 25 and 35 degrees to the horizontal, optimising exposure to the sun's rays all year round. Roof orientation South-facing buildings are favoured, offering maximum exposure to the sun, which is essential for maximising solar panel ...



How Many Solar Panels Do I Need for a 2,000 Sq Ft Home?

Estimate Your Solar Power Consumption. Once you've calculated your home's energy usage, you can estimate how much solar power you need to produce.. For this example, we'll assume you have a 2,000-square-foot home that you want to power entirely with 400w (watt) solar panels.The average 2,000-square-foot house uses approximately 1,000 kWh (kilowatts ...

How Much Is a Solar System for a 2,500 Square Foot ...

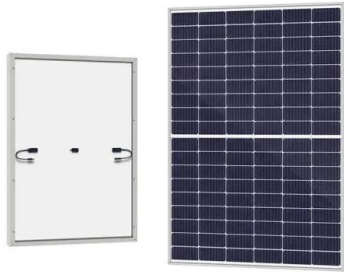
How much is a solar system for a 2500 sq ft house? The national average cost of a solar system for a 2,500 square foot house is just over \$20,500 after the 30% federal solar tax credit is applied. The average pre ...



[How Much Do Solar Panels Cost? \(2024\)](#)

How much do solar panels cost -- and are they worth the money? Our guide will help you decide if a solar system is worth the expense. Skip to content. Expert Advice On Improving Your Home Menu. All Projects. A 1000 sq. ft house should consume approximately 1,100 kWh of electricity.

To completely offset this energy usage, you would need to



[Solar Panels for Home in 2024 , Solar](#)

Financing a solar system. Just like a car or a house, you can pay cash or finance a solar system to spread the cost into predictable monthly payments. And here's the cool thing, when you're deciding how to finance solar panels for your home, you're also deciding: The rate you will pay for electricity over 25 years; Your total lifetime savings



Solar System Size Calculator: How Much Solar Do I Need?

In this example, the calculator estimates that I need a 4.7 kW solar system -- which works out to 14 350-watt solar panels -- to cover 100% of my annual electricity usage with solar. 7. Click "Get a Free Solar Quote" to get a more accurate estimate.

Contact Us

For catalog requests, pricing, or partnerships, please visit:
<https://www.ian-solar.co.za>