

Solar Energy South Africa

Photovoltaic bracket export channels



Overview

What are China's solar PV exports?

In 2021, the value of China's solar PV exports was over USD 30 billion, almost 7% of China's trade surplus over the last five years. In addition, Chinese investments in Malaysia and Viet Nam also made these countries major exporters of PV products, accounting for around 10% and 5% respectively of their trade surpluses since 2017.

How can solar PV supply chain diversification reduce supply chain risks?

Because diversification is one of the key strategies for reducing supply chain risks, the report assesses the opportunities and challenges of developing solar PV supply chains in terms of job creation, investment requirements, manufacturing costs, emissions and recycling.

What is a snapshot of global PV markets?

This 11th edition of the "Snapshot of Global PV Markets" aims at providing preliminary information on how the PV market developed in 2022. The 28th edition of the PVPS complete "Trends in Photovoltaic Applications" report will be published in Q4 2023.

Are solar PV supply chains cost-competitive?

Currently, the cost competitiveness of existing solar PV manufacturing is a key challenge to diversifying supply chains. China is the most cost-competitive location to manufacture all components of the solar PV supply chain. Costs in China are 10% lower than in India, 20% lower than in the United States, and 35% lower than in Europe.

Is polysilicon a bottleneck for solar PV?

Global capacity for manufacturing wafers and cells, which are key solar PV elements, and for assembling them into solar panels (also known as modules), exceeded demand by at least 100% at the end of 2021. By contrast,

production of polysilicon, the key material for solar PV, is currently a bottleneck in an otherwise oversupplied supply chain.

How many solar PV modules did Europe import from China?

Credit: SolarPower Europe Europe imported around 33GW of solar PV modules from China in the first four months of 2024, representing 43% of total Chinese module exports, according to US energy analyst Clean Energy Associates (CEA).

Photovoltaic bracket export channels



Photovoltaic Bracket _Nanjing Chinylion Metal Products Co., Ltd.

Photovoltaic Bracket -Nanjing Chinylion Metal Products Co., Ltd.-Photovoltaic bracket is mainly applicable to distributed power stations, rooftop power stations, household, commercial and ...

Solar Mounting System,Solar Brackets,PV Racking ...

China PV Mounts provide solar mounting solutions in roof, ground, and carport mounting systems to meet your solar energy needs. we began export activity since 2017. LEARN MORE. Why Choose Us. promotions, solar bracket ...



How to Select The Ideal Photovoltaic Support for Your Solar Project

Investing in high-quality photovoltaic brackets C channels ensures the long-term performance and stability of the PV system, ultimately providing a higher return on investment. In addition to ...

Special Report on Solar PV Global Supply Chains , OECD

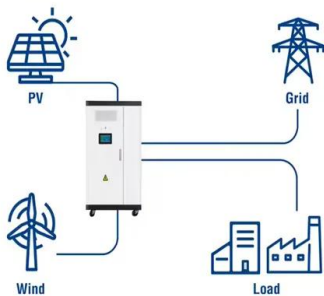
This special report examines solar PV supply chains from raw materials all the way to the finished product, spanning the five main

segments of the manufacturing process:
 polysilicon, ingots, wafers, cells and modules.
 The ...



1075KW HH ESS

Utility-Scale ESS solutions

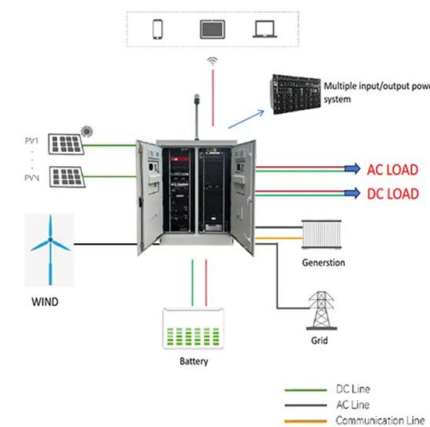


The Ultimate Guide to Solar Panel Roof Mounts: ...

These mounts use weight to secure the solar panels in place without the need for roof penetrations. Ballasted mounts are often made of concrete blocks or metal brackets filled with ballast material such as gravel or ...

Executive summary - Solar PV Global Supply Chains

Solar PV products are a significant export for China. In 2021, the value of China's solar PV exports was over USD 30 billion, almost 7% of China's trade surplus over the last five years. In addition, Chinese investments in Malaysia and Viet ...



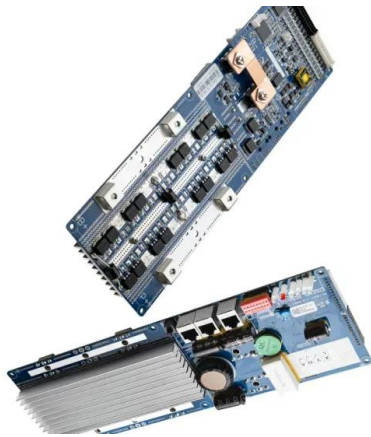
51.2V 300AH

Strut Support Systems, Channel Fittings Hardware ...

Export Enquiry +917743004154
 +917743004153; exports@strutnfittings ; Home;
 About Us; C bracket, Top Hat bracket, Base
 Plates, Internal External Connectors, Wing
 brackets, Strut Channels, Plain Channels, Slotted
 ...

Building a competitive solar-PV supply chain in Europe

Europe is planning a major ramp-up of solar-photovoltaic (PV)-based electricity to address its energy challenges, which include meeting its climate ambitions, managing a large part of its electrification, decarbonizing ...



Single Axis Photovoltaic Tracking Bracket with Strong

...

Q: Are you a manufacturer or a Trading company? A: We are a leader manufacturer of solar PV mounting systems and related accessories since 1992, with rich practical experience and mature production technology, and has ...

Large-Scale Ground Photovoltaic Bracket Selection

...

GS-style photovoltaic brackets, which feature a design similar to satellite receiving antennas' "dish" supports, include a north-south horizontal axis and an east-west inclined axis. SOEASY's extensive export and installation ...



Contact Us

For catalog requests, pricing, or partnerships, please visit:
<https://www.ian-solar.co.za>