

## Solar Energy South Africa

# Solar scheme online apply 2024 United Arab Emirates



## Solar scheme online apply 2024 United Arab Emirates

---



### Solar PV Engineer Jobs in Dubai, United Arab Emirates

United Arab Emirates. 6th April 2024  
2404-1-6767. Share Job Apply Job Job  
Description. As a Solar PV Engineer, you will be responsible for designing, installing, and maintaining solar photovoltaic systems to generate renewable energy. Your application for Solar PV Engineer has been successfully submitted!

### United Arab Emirates Solar Energy Market Size & Competitors

The United Arab Emirates Solar Energy Market size in terms of installed base is expected to grow from 7.90 gigawatt in 2024 to 36.06 gigawatt by 2029, at a CAGR of 35.48% during the forecast period (2024-2029).

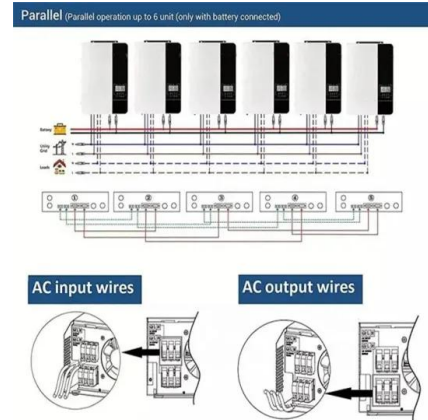


### Solar Eclipse of October 2 2024 from United Arab Emirates

Get detailed information about how and when the solar eclipse of October 2 2024 will be visible from United Arab Emirates. We use cookies to deliver essential features and to measure their performance. Learn more. Got It! menu. Major Objects. Bright Comets. Solar Eclipse of October 2 2024 from United Arab Emirates.

## Solar power in the United Arab Emirates

Solar potential in the United Arab Emirates. While being a major oil producing country, the United Arab Emirates (UAE) has taken steps to introduce solar power on a large scale. However, solar power still accounts for a small share of energy production in the country. The country was the 6th top carbon dioxide emitter per capita in the world in 2009, with 40.31 tonnes, [1] but is ...



## **Solar Eclipse of October 2 2024 from Dubai, United Arab Emirates**

Get detailed information about how and when the solar eclipse of October 2 2024 will be visible from Dubai, United Arab Emirates. United Arab Emirates. We use cookies to deliver essential features and to measure their performance. Learn more. Got It! menu. Major Objects. Bright Comets. Asteroids. Near Earth Objects. Space Probes.

## **United Arab Emirates Solar Energy Market Trends**

The United Arab Emirates Solar Energy Market is expected to reach 7.90 gigawatt in 2024 and grow at a CAGR of 35.48% to reach 36.06 gigawatt by 2029. Masdar (Abu Dhabi Future Energy Company), Sunergy Solar, MAYSUN SOLAR FZCO, ACWA Power and CleanMax Mena FZCO are the major companies operating in this market.



[cmsolarschemepunjab.pk](http://cmsolarschemepunjab.pk)

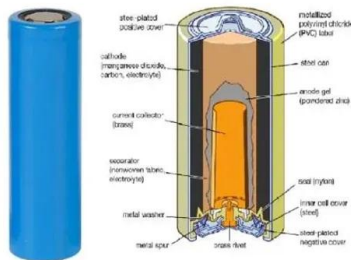
4 ???· Apply now for the CM Punjab Solar Panel



Scheme 2024. Register online at [cmsolarscheme.punjab.gov.pk](http://cmsolarscheme.punjab.gov.pk) or via SMS at 8800 by January 5, 2025. Get free 2-kilowatt solar panels and enjoy clean energy while reducing electricity bills. Don't miss this opportunity. Overview of the CM Punjab Solar Panel Scheme Applying for the CM Punjab Solar Panel ...

## National Rooftop Solar Scheme

The Prime Minister of India launched the PM Surya Ghar Muft Bijli Yojana on February 15, 2024. This scheme provides a subsidy to install solar panels on the roofs of households, with the goal of helping them save money on electricity bills. How to apply for National Rooftop Solar Scheme. To apply for the National Rooftop Solar Scheme



## Summer 2024: Solar Industry Update

the first half of 2024, with China installing more than 100 GW. dc. and India installing more solar in the first half of 2024 than it did for all of 2023. At the end of 2023, global CSP capacity reached approximately 7 GW. ac, with the completion of the Noor Energy 1 project in the United Arab Emirates. U.S. PV Deployment

## **Solar energy in the United Arab Emirates: A review**

The primary goal of this work is to assess the potential of solar energy as an essential future energy source in the oil-rich United Arab Emirates. The findings of this study are based on the national energy production and consumption

portfolios, detailed quantitative analysis of the solar energy resource, the local operating conditions of



## Chief Minister Free Solar Panel Scheme Online Register , Apply

...

Visit the website: [cmsolarscheme.punjab.gov.pk](https://cmsolarscheme.punjab.gov.pk)  
Enter your electricity bill reference number and CNIC number.; Send your bill reference number CNIC number by SMS to 8800.; Make sure you used 200 units or less in June 2024.; Apply before the last date: 5th January 2025.; Contact the helpline 042-99030204 if you need help.; Lucky draw winners will ...

## Dubai's DEWA introduces restrictions to net metering scheme , Solar ...

As of the announcement, ground-mounted solar projects are no longer envisaged under the regime. Moreover, the utility is setting a cap of 2.08 MW for rooftop installations. DEWA stressed it will not grant any exceptions to these restrictions and warned that solar contractors and consultants need to inform customers about the changes.



## Solar Eclipse of April 8 2024 from United Arab Emirates



Get detailed information about how and when the solar eclipse of April 8 2024 will be visible from United Arab Emirates. Get detailed information about how and when the solar eclipse of April 8 2024 will be visible from United Arab Emirates. We use cookies to deliver essential features and to measure their performance. Learn more. Got It! menu.

## **SOLAR MIDDLE EAST (Apr 2024), Dubai, United Arab Emirates**

2024 edition of SOLAR MIDDLE EAST will be held at Dubai World Trade Centre (Dubai Exhibition Centre), Dubai, United Arab Emirates starting on 16th Apr. It is a 3 day event organised by Informa Exhibitions Middle East and will conclude on 18th Apr 2024.



## **How To Apply Online CM Punjab Solar Panel Scheme ...**

Visit the Official Website: To register for the program, visit the official website: <https://cmsolarscheme.punjab.gov.pk/>. Obtain the Registration Form: On the website, locate and access the registration form. Complete the Form: Fill out ...

## **7 top Solar companies and startups in United Arab Emirates in**

Detailed info and reviews on 7 top Solar companies and startups in United Arab Emirates in 2024. Get the latest updates on their products, jobs, funding, investors, founders and more.

Apply Events Jobs Deals . Add your August 2024.  
 Powered by the F6S community. Aug 15, 2024.  
 Solar companies snapshot. We're tracking  
 SolarGridX, myZolar



## KP Government Solar Scheme 2024: How to Check Eligibility for 2KW Solar

Overview of KP Solar Scheme 2024. The KP government aims to distribute free solar panels to 100,000 households in the region. This initiative, spearheaded by CM Gandapur's advisor on Finance, Muzammil Aslam, is designed to alleviate the financial burden of electricity bills on low-income families and promote renewable energy usage.

## [United Arab Emirates](#)

The entire solar complex at the fourth phase of the Mohammed Bin Rashid Al Maktoum Solar Park includes 150 MW of PV with the 700 MW of CSP for 950 MW of solar energy. The goal by 2030 is for the site to host 5 GW of solar energy, with the first 1 GW (950 MW) online in 2024.



## 84 solar energy Jobs in United Arab Emirates, December 2024

Job Title: Renewable Energy Engineer - Solar Panel Specialist  
 Location: Dubai, UAE  
 Company: EPAC Contracting  
 Position Type: Full-Time  
 Position Overview: We are seeking a knowledgeable and motivated Renewable Energy

Engineer specializing in solar panel systems to join our dynamic team. In this role, you will design, develop, and implement solar energy solutions for ...



## United Arab Emirates Solar Energy Market 2024-2032

The United Arab Emirates solar energy market has witnessed significant growth, driven by favorable government policies, declining costs of solar technologies, and a focus on sustainable development. With its abundant solar resources

...



## 54 solar engineer Jobs in United Arab Emirates, December 2024

Search Solar engineer jobs in United Arab Emirates with company ratings & salaries. 54 open jobs for Solar engineer in United Arab Emirates. MEP Site Engineer/ Fresher's can apply. Job description: Supervise the installation, testing, and commissioning of solar systems, ensuring compliance with design specifications and safety standards

## Dubai's DEWA introduces restrictions to net ...

As of the announcement, ground-mounted solar projects are no longer envisaged under the regime. Moreover, the utility is setting a cap of

2.08 MW for rooftop installations. DEWA stressed it will not grant any exceptions to ...



## Punjab Solar Panels Scheme 2024 , Apply Online

Roshan Gharana 2024 Scheme Eligibility Criteria. Following is the Roshan Gharana Scheme 2024 eligibility criteria which every applicants must follow:.. Consumers of 50 or fewer units: Eligible for a 500 watt solar panel. Users of ...

## Renewable Energy Laws and Regulations United Arab Emirates ...

Renewable Energy Laws and Regulations covering issues in United Arab Emirates of Overview of the Renewable Energy Sector, Renewable Energy Market, Storage 19/09/2024 ICLG The resolution is intended to apply to all solar energy products offered, including the free zones, except for large-scale solar projects.



## Contact Us

For catalog requests, pricing, or partnerships, please visit:  
<https://www.ian-solar.co.za>