

## Solar Energy South Africa

# Solar storage system Saudi Arabia



## Overview

---

Does Saudi Arabia have an off-grid battery energy storage project?

The news of Huawei constructing the world's second-largest off-grid battery energy storage project in Saudi Arabia has made headlines recently. This project has now achieved an energy storage capacity of 1.3 GWh. The Kingdom is investing heavily in renewable energy. The \$500 billion NEOM city will run entirely on renewable energy.

What is Saudi Arabia's largest off-grid energy storage project in the Middle East?

Media reports that this will be the largest off-grid energy storage project in the Middle East. Saudi Arabia, the world's largest crude oil exporter, is committed to expanding its renewable energy sector under Crown Prince Muhammad bin Salman bin Abdel Aziz Al Saud's Vision 2030 plan proposed in 2016.

What is solar & storage live KSA?

UP NEXT IN THE MIDDLE EAST & AFRICA SERIES. Solar & Storage Live KSA is the definitive event that brings together new technology, efficiency, new thinking, and best practice in the industry as the countries' premier major services and supplier-led exhibition, with a high-level multi-track conference.

Will Sungrow boost Saudi Arabia's power grid stability?

In this project, Sungrow will build a 7.8 GW energy storage system to boost Saudi Arabia's power grid stability and reliability. Media reports that this will be the largest off-grid energy storage project in the Middle East.

How much solar energy will Saudi Arabia have by 2030?

By 2030, Saudi Arabia aims for solar and wind energy to make up 50% of its energy mix, totaling 58.7 GWh. Sungrow has outlined the project timeline and many other significant attributes. It will span three sites in Najran, Madaya, and Khamis Mushait of Saudi Arabia comprising ~ 7.8 million battery cells.

What is Huawei Saudi Arabia's Red Sea project?

Huawei Saudi Arabia's Red Sea Project is making headlines with the construction of the world's largest photovoltaic-energy storage microgrid. Featuring a 400MW solar PV system coupled with a 1.3GWh energy storage system, this ambitious project is set to revolutionize sustainable energy solutions in hospitality.

## Solar storage system Saudi Arabia

---



### **(PDF) Performance prediction of a solar district cooling system in**

E3S Web of Conferences. The paper presents a complete solar cooling comparison. A detailed model of a tertiary sector building has been evaluated in three locations (Riyadh, Abu Dhabi, and Palermo) and coupled with four solar cooling systems: two solar thermal cooling systems (Li-Br absorption chiller and adsorption chiller), a solar Desiccant Evaporative Cooling system and a ...

### **An Optimization-Based Model for A Hybrid Photovoltaic-Hydrogen Storage ...**

Renewable energy technologies and resources, particularly solar photovoltaic systems, provide cost-effective and environmentally friendly solutions for meeting the demand for electricity. The design of such systems is a critical task, as it has a significant impact on the overall cost of the system. In this paper, a mixed-integer linear programming-based model is ...



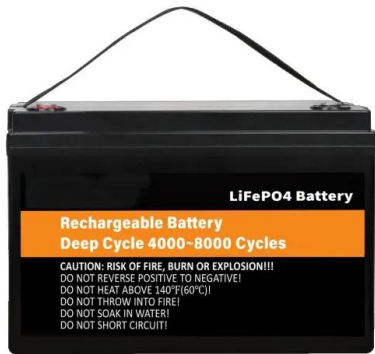
### **Solar Energy Development in Saudi Arabia**

The shift towards solar energy contributes significantly to SDG 7, which aims to ensure access to affordable, reliable, sustainable, and modern energy for all. By investing in solar power, Saudi Arabia supports the expansion of clean and renewable energy sources, thus

advancing progress towards this goal.

## Hithium plans manufacturing capacity in Saudi Arabia, unveils ...

China's Hithium has joined hands with a local partner to establish a 5 GWh production facility in Saudi Arabia. It has also unveiled its specialized energy storage solutions tailored for desert



## Renewable Energy Rental in Saudi Arabia , Energia KSA

Premium solar solutions for rent in Saudi Arabia with Energia. We provide Energy Storage Systems (ESS), Battery Energy Storage Systems (BESS), and solar fold PV systems. Energia solution. Battery Energy Storage System - 232 Kilowatt Hour . Renting Energia's BESS (Battery Energy Storage Systems) offers clients unparalleled advantages.

## [Saudi Arabia invites RFQ for Group 1](#)

Saudi Power Procurement Company (SPPC) invites Request for Qualification (RFQ) for Group 1 Battery Energy Storage Systems (BESS) having Combined Capacity of 2,000 MW across Saudi Arabia on build, own and operate (BOO) model. Battery Energy Storage System (BESS) plant will provide Load Shifting as main application while providing Black start, ...



## [Eshraq Solar , Sellers , Saudi](#)

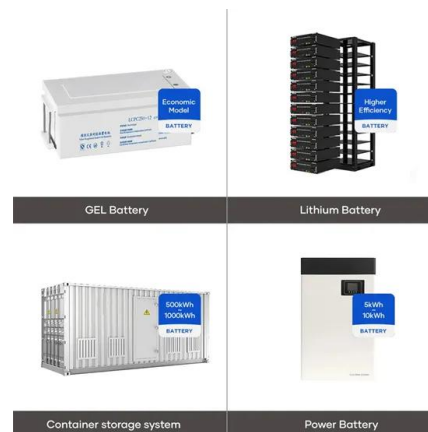


## Arabia

Company profile for solar component seller and installer Eshraq Solar - showing the company's contact details and offerings. Storage System Guangdong NPP New Energy Co., Ltd. Mounting System Xiamen Kseng Metal Tech Co., Ltd. Saudi Arabia Phone: 0505195197 Address: ?????? ???? ???? ???????

## Dubai invites IPP advisory services for 1,600MW Solar PV with ...

[ December 14, 2024 ] Saudi Arabia issues RFP for New Abha International Airport Project Construction [ December 14, 2024 ] UAE's Dubai invites IPP advisory services for 1,600MW Solar PV with 1,000MW Energy Storage System. November 16, 2024 SaudiGulf Projects Power, PPP. Dubai Electricity and Water Authority (DEWA), UAE invites bids for



RS485  
 Communication between battery and inverter  
 Band rate:9600bps

RS485 Interface  
 Communication between parallel packs or BMS and PC  
 Band rate:9600bps

## Namkoo installs 500kw energy storage system in Saudi Arabia

In collaboration with the local authorities of Al-Sahran, a small town in Saudi Arabia, Namkoo is embarking on an ambitious solar energy storage project. The objective is to provide a sustainable, reliable, and affordable energy solution to the town's residents while reducing their dependence on traditional fossil fuels.

## Solar & Storage Live KSA 2024 and Future Energy Live KSA 2024

Solar & Storage Live KSA 2024 and Future Energy Live KSA 2024 are Saudi Arabia's largest renewable energy exhibitions, celebrating the technol. 15 Jumada II 1446 - 16 December 2024 exhibitions, celebrating the technologies leading the transition to a greener, smarter, and more energy-efficient system. These events bring together all key

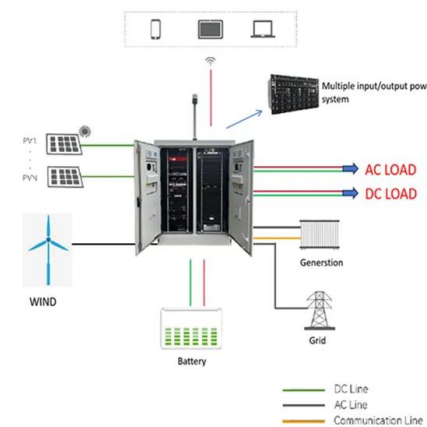


## Solar Energy Development in Saudi Arabia

The shift towards solar energy contributes significantly to SDG 7, which aims to ensure access to affordable, reliable, sustainable, and modern energy for all. By investing in solar power, Saudi Arabia supports the ...

## World's Largest Solar-Powered Microgrid Under Construction in Saudi Arabia

2 ???· A groundbreaking project is underway in Saudi Arabia's Red Sea region, where construction has begun on what will become the world's largest photovoltaic-energy storage microgrid. This ambitious endeavor features a 400 megawatt (MW) solar photovoltaic (PV) system paired with a 1.3 gigawatt-hour (GWh) energy storage system, setting a new benchmark in ...



## Gulf Batteries Company Ltd , Solar Components , Saudi Arabia

Sellers Solar System Installers Software. Saudi Arabia : Business Details Component Types

Storage System Storage System Technology: LFP (LiFePO4), Lithium Ion, Ni-Cd Last Update 30 May 2024 Update Above Information



## Sungrow awarded 600MWh BESS contract for Saudi ...

Sungrow meanwhile said the Neom MoU builds on a successful track record for the company in delivering PV and solar-plus-storage projects in the Middle East including work on Sudair, a 1.6GW PV plant in ...



## Photocell for Energy , Solar System Installers , Saudi Arabia

Solar System Installers. Photocell. Photocell for Energy Office No. 404, 4th Floor, Jarir Building, Corniche, Prince Majed St, Al Khobar Al Shamalia, Al Khobar, 34427 Saudi Arabia : Business Details Battery Storage Yes Installation size Smaller Installations

## [saudi arabia Archives](#)

A consortium of developers has achieved financial close for US\$1.3bn in debt facilities for the Red Sea project, a huge resort under construction off the coast of Saudi Arabia which plans to have the largest off-grid battery energy storage system at 1,200-1,300MWh.



**114KWh ESS**



## SOLAR & STORAGE LIVE

Solar & Storage Live KSA is an event that showcases the latest technologies and advancements in the renewable energy industry. It is considered the largest exhibition in Saudi Arabia dedicated to promoting a greener and more energy-efficient system. This event celebrates the forefront of the transition towards a sustainable future.

## Operation of an all-solar power system in Saudi Arabia

We analyze the operation of the Saudi Arabia power system during one whole year using realistic data from 2015. These data pertain to the transmission system, the demand throughout the country, and solar generation (photovoltaic (PV) and/or concentrated solar power (CSP)) at locations identified by the generation expansion planning model [6] briefly described ...



## Nuclear Power, Photovoltaics, and Compressed Air Energy Storage...

In Saudi Arabia, oil-based power has been largely replaced by natural gas as a source of electrical power. Additionally, coal is not locally available. When comparing nuclear base-load operation to renewable solar power, the availability of a solar PV and battery storage system must be taken into account.

## Hithium and MANAT to establish 5GWh KSA BESS production facility

The partnership was revealed at the Solar & Storage Live KSA exhibition, where Hithium showcased its new energy storage solutions. storage systems (BESS) manufacturing facility with 5 gigawatt hours (GWh) annual production capacity in the Kingdom of Saudi Arabia (KSA). Hithium launched a 55-megawatt-hours battery energy storage system



**(PDF) Optimum design of PV-RO system solar-powered sea water**

PDF , On Jan 1, 2021, Khalid Al-Shail and others published Optimum design of PV-RO system solar-powered sea water desalination without storage in Saudi Arabia (Case study) , Find, read and cite

**Hithium plans manufacturing capacity in Saudi Arabia, unveils ...**

The new partnership aims to establish a battery energy storage system (BESS) manufacturing facility in Saudi Arabia with an annual capacity of 5 GWh. As part of its Vision 2030 strategy, Saudi Arabia has positioned solar and wind power as key pillars of its future energy mix, with solar power expected to account for 27% of the total energy



**Sungrow Signs the 760MWh Off-Grid Energy Storage Project to ...**

Riyadh, Kingdom of Saudi Arabia, May 21, 2024 -- Sungrow, the global lead ing PV inverter and

energy storage system provider, has forged a strategic partnership with Larsen & Toubro to supply 165MW PV inverters and 160MW/7.6 MWh energy storage systems for AMAALA, a prestigious destination in Saudi Arabia. This collaboration aligns with Saudi ...



## Haala Energy , Solar System Installers , Saudi Arabia

Solar System Installers. Haala Energy. Haala Energy Jeddah 23524 <https://haalaenergy.com> Saudi Arabia : Business Details Battery Storage Battery Storage Yes Installation size Smaller Installations, 1MWp+ Installations Operating Area



## Contact Us

---

For catalog requests, pricing, or partnerships, please visit:  
<https://www.ian-solar.co.za>